

SIMEX

ST 200

SKID STEER ASPHALT FLOAT

For laying asphalts on sidewalks, back fill trenches.



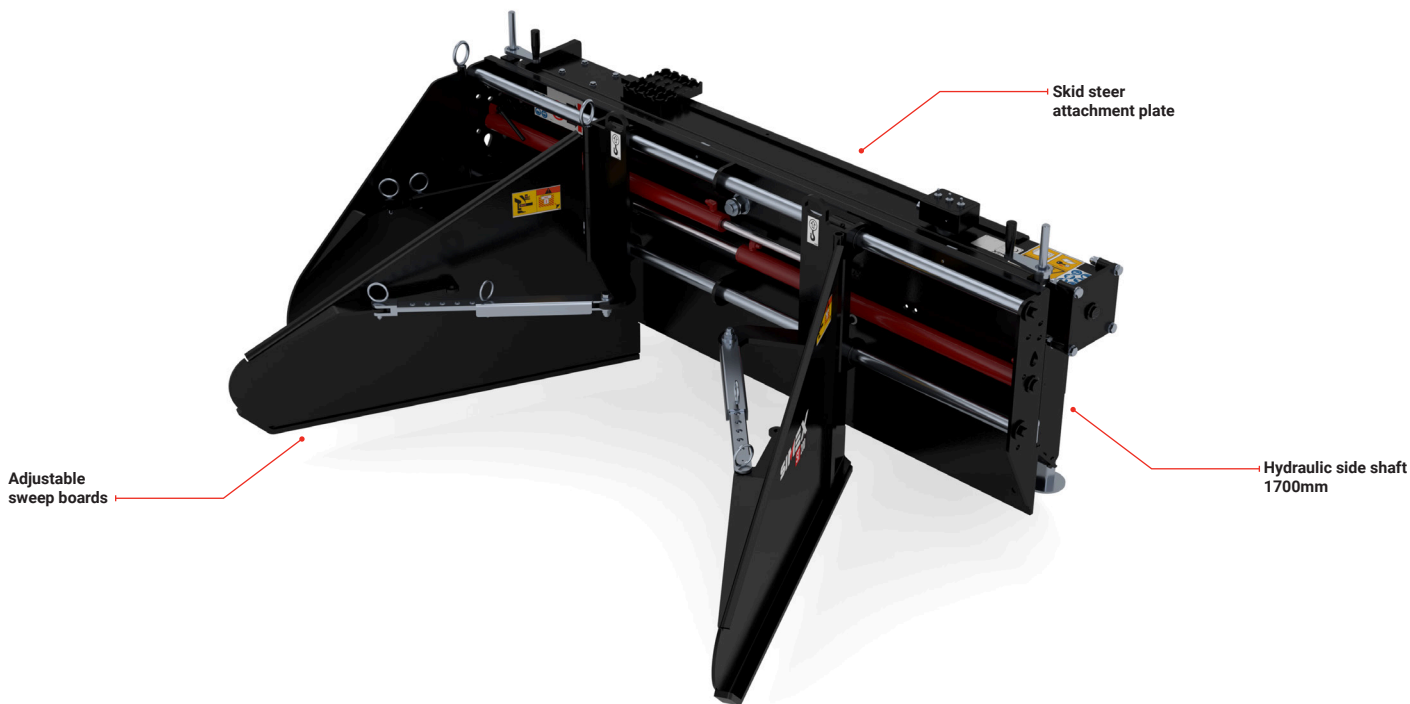
FEATURES

STANDARD EQUIPMENT ON NZ MODELS

Hydraulic offset side shift

Material conveying side boards with hydraulic side shift and mechanical opening/closing device

Mechanical transverse tilt



ST 200	Working width (mm)	Operating weight (mm)	Asphalt thickness (mm)
	1900	620	0 - 100